

Maxeeder

Touch of wonder..!

QLED TV

MX-TV216U FN5011



با ضمانت گاندو سرویس

رکورد دار دریافت تندیس حمایت از حقوق مصرف کننده برای
هشتمین سال پیاپی در صنعت لوازم خانگی ، موت و تصویر ایران



User's Manual

Please read this manual carefully for proper usage before installation and use. It is recommended to keep this manual properly for future check. The pictures in this manual are only for reference.





Contents


Safety Warning and Notice	2
Mounting and Connecting	4
Mounting the TV set.....	4
Connecting peripheral equipment.....	5
Panel Control Keys	6
Remote Control	6
Basic Operations	8
Turning on/Standby.....	8
Signal source selection.....	8
Menu operation description.....	8
Program scanning.....	8
REC option.....	9
Time Shift option.....	9
Instructions for Intelligent Platform Operation	9
Basic Operations.....	9
Quick Start.....	9
Smart Applications.....	10
Network Settings.....	11
Bluetooth Setting (optional).....	11
Important Statement on Network Services	11
Troubleshooting	12
Technical Specifications	12
Base Installation Instructions	13
Use of a TV wall mounting	14


Safety Warning and Notice

Thanks for choosing the high-performance and multifunctional intelligent LED TV produced by our company. This precious thing will bring you better audiovisual enjoyment. The design of this product has given consideration to factors affecting personal safety, and the product itself has gone through strict tests prior to delivery. However, improper operation may result in electric shock and fire disaster. To ensure safety, prolong the service life of this product, and make sure the best performance of this product can be given full play to, please read the manual and marking label carefully before using it and comply with the following safety instructions. Please keep the user manual for later use.

	Warning	May result in casualties
-----------------------------------------------------------------------------------	----------------	--------------------------

	Indicate the behaviors that must be prohibited	
-----------------------------------------------------------------------------------	------------------------------------------------	--

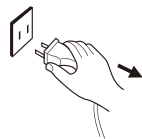
	Attention	May result in personal injury or property losses
-------------------------------------------------------------------------------------	------------------	--------------------------------------------------

	Indicate the operations that must be performed	
-------------------------------------------------------------------------------------	------------------------------------------------	--

Under Following Conditions

- Power failure or unstable voltage.
- Abnormal sound or smell from the device.
- AC power cord is damaged.
- TV set is damaged due to falling off, knock or impact.
- Any liquid or foreign matters enter into the TV set.

Turn off the TV set immediately, unplug the power cord from the power outlet, and contact authorized maintenance personnel.






- **If coal gas or other flammable gases leak, do not unplug the power cord of the TV set or other electric appliances; instead, close the valve of the gas immediately and open the doors and windows.**

Warning

- **Only use 100-240VAC, 50/60Hz power supply.**
- **All cables can be connected or pull out only after power supply is turned off.**
- **Do not fix the TV set on instable position, or else it may cause falling off, damage, or even fire.**
- **Do not put the TV set in the environment:**
 1. **With direct sunshine, moisture, overheating, undercooling or heavy dust;**
 2. **With flammable or explosive substance;**
 3. **With flammable or corrosive gas;**
 4. **In bathroom, kitchen, etc.**
- **Do not use damaged or improper power socket, and ensure that the plug and socket are connected properly.**
- **Keep the power plug and socket free of dust and metal pieces.**
- **Do not damage the power cord:**
 1. **It is prohibited to refit the power cord;**
 2. **Do not put heavy object on the power cord;**
 3. **Keep the power cord away from heat source;**
 4. **Do not drag the power cord when unplugging.**
- **Do not connect too many appliances to one power strip, or else it may cause fire due to high power consumption.**
- **Do not let open flame (e.g. lit candle) approach the TV set, or else it may cause electric shock or fire.**
- **Do not put the container filled with water on the TV set, to avoid electric shock or fire caused by water drop of splashing.**
- **Do not penetrate any sharp object, metal or liquid into the signal connector or air vents, to avoid short circuit and product damage as well as electric shock.**
- **The slots on the case is designed to release heat so as to assure that all inside components will not reach an extra high temperature and can work normally for a long time. Please do not cover the holes while place it.**

 **Warning**

-  Do not touch the plug with wet hands, or else it may cause electric shock.
-  Do not turn on the TV set in thunderstorm weather; instead, unplug the power plug and antenna connector to avoid lightning strike.
-  Do not disassemble the TV set by yourself, or else it may cause electric shock or fire. Contact qualified personnel for maintenance.

 **Attention**

- Do not let children climb onto the TV set.
- Keep the small accessories away from children's reach to avoid swallowing.
- If the TV set won't be used for a long time, please turn off the device and unplug the power cord.
- Before cleaning the TV set, unplug the power cord and wipe with soft cloth; do not use chemical reagents and avoid foreign substances entering into the device. The incorrect cleaning (such as cleaning fluid, water, etc) may lead to damage of product's appearance, erasing products printing information, even flow into the machine and damage components, cause machine can not display.
- To adjust the position or angle of the TV set, please disconnect all wires and move slowly to avoid falling off.
- Do not rub with hard object, knock at, bend or squeeze the screen.
- Do not use machine immediately after transferring machine to the places with high temperature from low temperature, which will cause fogging inside machine and failures.
- If the screen is broken and the liquid splashes on skin, please wash with clean water immediately for 15 minutes, and go to see your doctor.
- To carry the TV set with hands, please grasp the corners and hold the bottom; do not apply force on the panel.

 **Attention**

- Displaying the same image for a long time or active image with fixed words, icons will leave "image persistence" on screen which will not disappear after powering off for a long time. This undesirable phenomenon is not covered by warranty.
- Healthy TV watching:
 1. Watch in appropriate light; poor light or long time watching may hurt your eyes.
 2. Adjust the volume appropriate to avoid hurting your hearing.
- Unplug the power cord of the device to cut off the power supply.
- If a power plug or appliance coupler is used as disconnecting device, it should ensure easy operation.
- Power plug shall be connected reliably. Loose power plugs may cause sparkle and fire.
- All the technical specifications in the user's manual and on the packaging are subject to changes without prior notice. If there is slight deviation between the user's manual and actual operation, the latter shall prevail.



The terms HDMI, HDMI High-Definition Multimedia Interface, HDMI Trade dress and the HDMI Logos are trademarks or registered trademarks of HDMI Licensing Administrator, Inc.



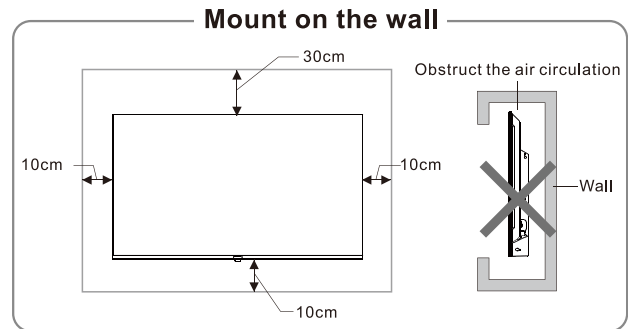
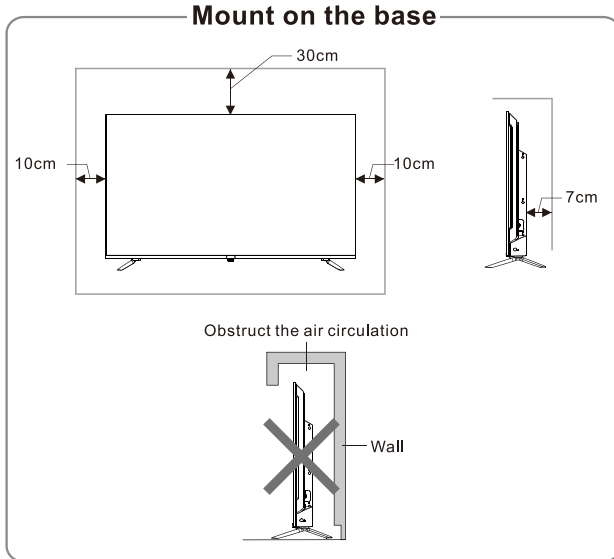
Dolby, Dolby Vision, Dolby Atmos, Dolby Audio, and the double-D symbol are trademarks of Dolby Laboratories Licensing Corporation. Manufactured under license from Dolby Laboratories. Confidential unpublished works. Copyright © 1992–2024 Dolby Laboratories. All rights reserved.

Mounting and Connecting

Mounting the TV set

Tips on Installation

- The TV set should be mounted near the AC power socket for easy plugging and unplugging.
- For your safety, please select appropriate wall mount bracket or base.
- To avoid hurt, it is required to place the TV set on stable plane, or fix on firm wall.
- Ask qualified personnel to mount the TV set on the wall. Improper mounting may result in instable TV set.
- Do not place the TV set at any place susceptible to mechanical vibration.
- Do not place the TV set at any place that insects may enter.
- Do not mount the TV set against air conditioner, or else the internal panel of the display may condense moisture and cause failure.
- Do not place the TV set at any place with strong magnetic field, or else it may be interfered with and damaged by electromagnetic wave.



Ventilation

- Please keep this space at least around the TV, as shown in the figure.
- Do not cover the air vents or insert any object into the enclosure.
- Do not put the device in limited space, e.g. bookcase or embedded closet, unless the TV set is properly ventilated.

Warning

Never place a television set in an unstable location. A television set may fall, causing serious personal injury or death. Many injuries, particularly to children, can be avoided by taking simple precautions such as:

- Using cabinets or stands recommended by the manufacturer of the television set.
- Only using furniture that can safely support the television set.
- Ensuring the television set is not overhanging the edge of the supporting furniture.
- Not placing the television set on tall furniture (for example, cupboards or bookcases) without anchoring both the furniture and the television set to a suitable support.
- Not placing the television set on cloth or other materials that may be located between the television set and supporting furniture.
- Educating children about the dangers of climbing on furniture to reach the television set or its controls.

If your existing television set is being retained and relocated, the same considerations as above should be applied.

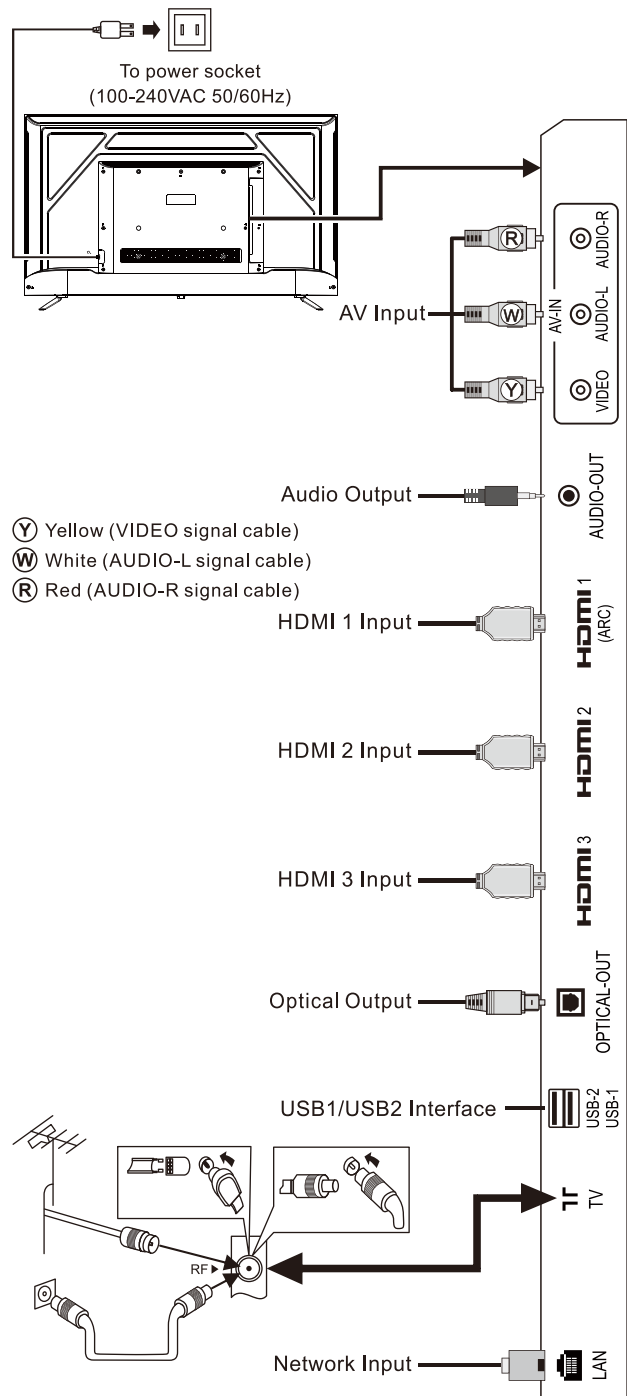
Connecting peripheral equipment

Remark:

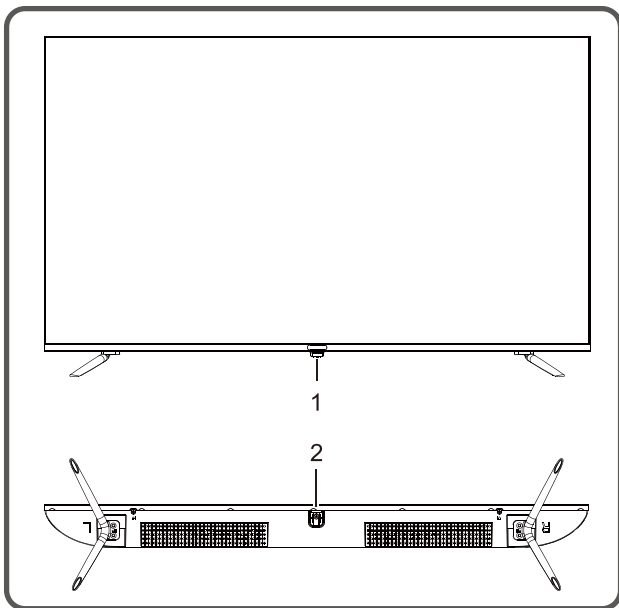
1. USB interfaces support peripheral equipment, including USB mass storage device, USB mouse, keyboard, etc.
2. When you need to connect the device which support the ARC function, please select the HDMI-1 interface.
3. HDMI connector can realize DVI connector function with external HDMI/DVI commutator.
4. The peripheral equipment and cables described in this manual should be purchased separately.

Warning

When connecting outdoor antenna to signal port of the TV set, please turn off the main power switch of the TV set first. Do not approach the outdoor antenna to high voltage mains power line to avoid electric shock. The wired network antenna connected to this TV set must be isolated from the protective grounding, or else it will cause fire or other hazards.



Panel Control Keys



1. Power LED indicator and remote receiving window.
2. ⏻ key:

Entering power on or standby with the ⏻ key:

- ①. When insert the power code plug into the electrical socket, you can press ⏻ key to turn on the TV.
- ②. In the power-on state, keep pressing ⏻ key to display the function menu, then keep pressing ⏻ key to select the icon Ⓜ, and press ⏻ key to turn off the TV.

After the TV is turned on:

- ①. In the non-OSD menu, keep pressing ⏻ key to display the function menu.
- ②. In the function menu, keep pressing ⏻ key to select the next item, press ⏻ key to confirm.

Remark:

- ①. The appearance varies depending on the model, and the actual product shall prevail.
- ②. Please use the remote control for more operation.

Remote Control

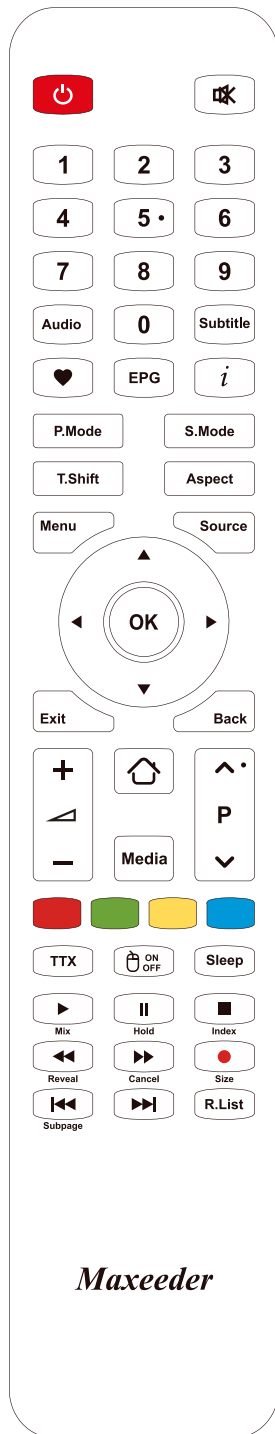
Method for Installation of Remote Control Battery

Remove the battery compartment cover and insert two AAA (No. 7, 1.5V) batteries; make sure the polarity of the batteries is in compliance with the polarity mark "+" and "-" in the battery compartment of the remote control.

Precautions for using the remote control

- The remote control should be pointed at the remote control sensor during operation. An object placed between the remote control and the remote control sensor may impede normal operation.
- The remote control should be prevented from strenuous vibration. Besides, please do not set or place the remote control under direct sunshine, as heating power may result in deformation of the remote control.
- Remote control failure may occur when the remote control sensor of the main unit is under direct sunshine or strong lighting; in this case, please change the angle of lighting or this TV set, or operate the remote control near the remote control sensor.
- Low battery will influence the remote control distance, in which case, the battery should be replaced with a new one. If the remote control is going to be idle for a long time or the battery runs out, please take the battery out to prevent the remote control from being corroded by battery leakage which may result in damage and failure of the remote control.
- Please do not use batteries of different types. It is not allowed to use old and new batteries together; the batteries should be replaced in pair.
- Please do not throw the batteries into fire or charge or decompose the batteries; do not charge, short-circuit, disassemble/assemble, heat or burn used batteries. Please dispose the waste batteries pursuant to relevant regulations on environmental protection.

Keys of the Remote Control



Note: The appearance of the remote control may be different from this diagram; please refer to the real object as standard.

Keys	Function
Power (⏻)	Switch between working and standby status.
Home (🏠)	Show the home page of smart TV.
Mute (🔇)	Turn on/off the sound.
Number keys(0~9)	Enter numbers or select channel.
Back	Return to previous page.
Media	Multimedia shortcut key.
♥	View favorite list.
i	Show the information of the TV program.
EPG	Electronic channel instructions.
Source	Select the signal source. (only in TV mode)
🖱️ ON/OFF	Turn on/off the mouse.
Menu	Show the OSD menu.
Red key	Special function key.
Green key	
Yellow key	
Blue key	
Cursor keys (▲, ▼, ◀, ▶)	Select items or adjust values.
OK	Confirm the operation. View program list in DTV/ATV mode.
VOL+/- (⏮ + ⏭)	Turn up/down the volume.
CH+/- (⏮ P ⏭)	Change program channel.
TTX	Open teletext mode.
Sleep	Sleep mode.
Exit	Exit the current interface.
P.Mode	Select the TV picture mode.
S.Mode	Select the TV sound mode.
T.Shift	Time shift in DTV mode.
Aspect	Switch the display mode.
Subtitle	Open subtitle language menu.
Audio	Open audio language menu.
■ (Index)	Stop. (Return to index).
▶ (Mix)	Play function in multimedia. (Translucent content).
⏸ (Hold)	Pause function in multimedia. (Hold the displays at the current page).
◀◀ (Reveal)	Fast backward. (Show hidden content)
▶▶ (Cancel)	Fast forward. (Hide contents temporarily).
● (Size)	Start to record current program. (Resize)
◀◀ (Subpage)	Previous song. (Show subpage).
▶▶	Next file in multimedia.
R.List	Record-list.

Basic Operations

Remark:

1. The keys operation refers to remote control operation, for panel control keys operation please refer to "**Panel Control Keys**" operation explanation.
2. Menu Operation Instruction in this manual is explained according to TV mode. The operations in other modes are similar to the one in TV mode, and users can take it as reference.
3. Before power-on platform, please make sure that the power supply is stable.

Turning on/Standby

Plug power cord into the electrical socket, then press [⏻] key to turn on the TV. The screen displays "Welcome" menu. Then you can set **Language**, **Net** and **Time** according to your needs. Finally, select **Finish** and press [OK] key to close the wizard.

In power on state, press [⏻] key to switch to standby mode.



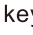


★ **Special Tips:** This device adopts energy saving technology. If there is no signal input in power on state, it will enter standby state automatically in five minutes; The device will enter standby state automatically at specified sleep time.

Signal source selection

You can connect various devices to the TV set and view high quality images. If the video device has HDMI, AV and other video output ports. You can select one of them and connect to corresponding input ports of the TV set. After connected, turning on the device and press [Source] key, then menu of signal source will be displayed on the screen. Press the [◀]/[▶] key to select the input signal, and press [OK] key to confirm .

Menu operation description

Press [Menu] key to show the main menu on the screen:

1. Press [▲]/[▼] key to select a menu from  (Picture),  (Sound),  (Channel),  (Setting),  (Parental Control). Then press [▶] key to enter the selected menu.
2. Press [▲]/[▼] key to select an item in the menu.
3. Press [OK] key to enter the submenu.

4. Press [◀]/[▶] key to adjust the value or setting.
5. When the main menu shows on the screen, press [Menu] key to exit the main menu; Press [Back] key to return to previous menu when the TV display the submenu.
6. During menu operation, the icons of invalid options will change into grey.


Note: The default password for the lock system is **0000**.

Program scanning


Tune the programs before watching the TV for the first time. Before scanning, please make sure that the antenna has been connected properly.

DTV Tuning (In DTV signal source)


The following example channel searching antenna type is under DVBT.

Press [Menu] key, and select  > **Antenna Type** > **DVBT**, then press [OK] key.

Auto Tuning


Press [Menu] key, and select  > **Auto Tuning**, then press [OK] key. Then you can select country where you are and press [OK] key to confirm (you need to enter the password when several country was chosen). The machine starts auto tuning after selecting **Start Scan**. During auto tuning, you can select **Stop Scan** to exit tuning.

DTV Manual Tuning


Press [Menu] key, Select  > **DTV Manual Tuning**, Press [OK] key to enter **DTV Manual Tuning** menu. Press [◀]/[▶] key to select channel, then press [▼] key to select **Start Scan** and press [OK] key to confirm.

ATV Tuning (In ATV signal source)

Auto Tuning

Press [Menu] key, and select  > **Auto Tuning**, then press [OK] key, and press [OK] key to confirm. The machine starts auto tuning after selecting **Start Scan**. During auto tuning, you can select **Stop Scan** to exit tuning.

ATV Manual Tuning

Press [Menu] key, Select  > **ATV Manual Tuning**, Press [OK] key to enter **ATV Manual Tuning** menu. Press [◀]/[▶] key to select frequency, then you can select **Scan Up** or **Scan Down** to tune for high frequency or low frequency. During the tuning, you can select **Stop Scan** to exit tuning.

REC option

In DTV mode, Press [●] key, REC option menu shows on the screen, and system begin recording right now. Press [■] key to stop and quit recording; Press [Menu] key and select > > **Record List**, then you can select the file you want to play, and press [OK] key to play it.

Icon	Description
	Play: Play.
	Stop: Stop and quit.
	Pause: Pause.
	FB: Fast back, press [▶](play) key to play normally.
	FF: Fast forward, press [▶](play) key to play normally.
	Forward: Make a 30S jump forward.
	Backward: Make a 30S jump backward.

Note: The recording function can only support memorizer with FAT32 file system. Memorizer with other file systems need to be formatted; Before formatting memorizer, back-up useful data because the content of memorizer can not recover after formatting.

Time Shift option

In DTV mode, Press [T.shift] key, Time Shift option menu shows on the screen and the program is in suspended state. Press [▶](play) key to resume play program. Press [■] key to stop and quit time-shift. When user leaves program for a short time, time-shift function can suspend and cache the playing program to U disk. When user resumes playing, the program can continue to be played.

Icon	Description
	Play: Play.
	Stop: Stop and quit.
	Pause: Pause.
	FB: Fast back, press [▶](play) key to play normally.
	FF: Fast forward, press [▶](play) key to play normally.
	Forward: Make a 30S jump forward.
	Backward: Make a 30S jump backward.
	Time Play: Select time to play.

Instructions for Intelligent Platform Operation

Basic Operations

Press [⏏] key to show the home page.

1. Press [▲]/[▼]/[◀]/[▶] key to select an application;
2. Press [OK] key to run the application;
3. Press [Back] key to return to previous page;

★ Special Tips

The operations in smart mode are complicated. The user can install Apps with different operation methods, and the operations described in this manual are for reference only. Part of applications need external equipment to run normally. Certain functions are invalid from the remote control. For more convenient operation, please operate with USB mouse and keyboard.

Quick Start

Before using this device, please get familiar with the operations below for better experience.

Mouse Control

1. Click: Click the mouse and release immediately;
2. Press and hold: Click the mouse and hold for at least three seconds;
3. Clicking the left mouse key has the same effect as pressing [OK] key on the remote control;
4. Clicking the right mouse key has the same effect as pressing [Back] key on the remote control.

Language input setting

Language: In the smart mode, select the system language. Select **Setting > Language**, and press [OK] key. Press [▲]/[▼] key to select the desired language, and then press [OK] key.

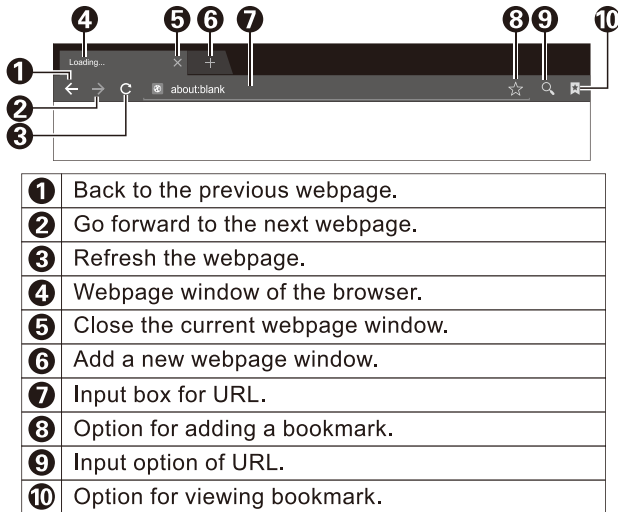
Selecting Input Method: In the smart mode, select **Setting > All Settings > Universal > Input Method**, and press [◀]/[▶] key to choose input method; you can also download and install third party input method.

Setting System Time: In the smart mode, select **Setting > Time > Automatic Date&time**, then the network-provided time will be used by set it as **Network**. You can also set the system time manually.

Smart Applications

Browser: You can use the browser to show the text, video, audio and other information on the Internet.

Before accessing the Internet, please connect your TV set to the Internet; refer to "Network Settings" for details.



Note: Press [Menu] key to display the menu option of browser.

■ How to access web address?

Press [▲]/[▼]/[◀]/[▶] key to select the address bar, and type the web address in the address bar, then select the → icon in the input method, and press [OK] key to access the web address.

■ How to save a page in the Bookmark?

Select the ☆ icon the browser interface, and press [OK] key to enter the browser tab and web address. Select **Account**, and press [OK] key. Press [▲]/[▼] key to select the account for storage, and then press [OK] key. Select **OK**, and then press [OK] key to add the bookmark.

Apk Installer: The **Apk installer** helps users manage applications, and allows users to install or uninstall apps in local disk.

■ How to install an application?

Select **My Apps > All Apps > FileManager** and press [OK] key to enter, then press [▲]/[▼]/[◀]/[▶] key to select **Apk** and press [OK] key to enter. Select the target installation file in local disk, and press [OK] key to install. Then select **INSTALL** and press [OK] key. Several Apk need setting security when you install it.

■ How to uninstall an application?

Select **My Apps > Smart Assistant > App Manager**. Select the application which you want to uninstall and press [OK] key, then select **Uninstall** and press [OK] key to uninstall the application.

Multimedia Player: In smart mode, select **Multimedia** in the main interface, and press [OK] key to run. Select the file type from **All, Video, Music and Picture**.

■ Playing Files in local disk device: Before playing files in the local disk, insert the USB mass storage device into the USB interface.

Select local disk device in the file directory, and press [OK] key to enter. Select the target folder or file, press [OK] key to enter the folder or play the file, and press [Back] key to return to the desktop.



Attention:

1. Unstandard USB devices can't be recognized probably; in this case, please replace a standard USB device;
2. The stream media system has certain restriction on the format of files; the playing will be abnormal if it is out of the system restriction;
3. Do not remove the USB device while playing, or else the system or device may have problem; Before replace the USB device, please turn off the machine's power supply;
4. The system supports standard USB1.1 and USB2.0 devices, such as USB mass storage devices and removable hard disks;
5. The maximum output current of the USB port of this device is 500mA, and the self-protection will be enabled if it is beyond this limit; please use external power supply if an external device of higher current will be connected;
6. The system is complicated; when it is reading or playing files, the screen may be still or certain functions may be invalid due to the compatibility and stability of the USB device; in this case, please turn off the device and re-initialize the system.

Press [Menu] key can display or hide toolbar, While playing, select the menu option which you want, and press [OK] key to perform the operation; you can press [Back] key to exit playing, or press [■]/[II]/[▶▶]/[▶](play)/[◀◀]/[◀]/[▶▶] key on the remote control to perform shortcut operation.

Network Settings

Wi-Fi

1. In smart mode, select **Setting > Network > Wi-Fi**. Press [OK] key, then press [◀]/[▶] key to select **On** or **Off** and the machine automatically search for nearby wireless network signal when selecting **On**. The network searched with  icon indicate that the machine connects to the network without a password. The network with  icon indicate that it is encrypted and you must enter the correct password to connect to the network;
2. Select the network which you want to select in the network list, and press [OK] key;
3. Type network connecting password in the Password box, then select **Connect** and press [OK] key to connect to network.

Ethernet

1. Select **Setting > Network > Ethernet** and press [OK] key;
2. Set **Auto Connect** as **On**, and your machine will obtain an IP address automatically;
3. If your devices does not support automatically obtain an IP address, you need set **Auto Connect** as Off. Then select **IP Setting** and press [OK] key to enter;
4. Enter the IP Address, Subnet Mask, Gateway, and DNS1, DNS2;
5. Select **OK** and press [OK] key to connect to the network.

Portable Hotspot

1. Select **Setting > Network > Portable Hotspot** and press [OK] key;
2. Select **Hotspot Settings** and set it as **On**;
3. Enter the hotspot name in the network name field;
4. In the security field, press [◀]/[▶] key to select security type. When the security type was selected as **None**, anyone who search out your network does not need a password to connect to the network. If you select **WPA2 PSK** encryption, you need to enter a password more than eight characters. Anyone who search out your shared Wi-Fi network need to enter the correct password to connect to your network;
5. You can type a password in the password frame for yourself;

6. Select **Save** and press [OK] key to save the settings, then other Wi-Fi devices in search for Wi-Fi networks will search your network in the area.

Bluetooth Setting (optional)

1. In smart mode, select **Setting > All Settings > Other > Bluetooth** and press [OK] key to enter, then press [◀]/[▶] key to set it as **On**.
2. Select **Scan** and press [OK] key, the Bluetooth starts scanning. The available devices will be listed.
3. Select the device which you want to connect to and press [OK] key, and the TV starts to match. You need confirm the connection when some devices are connecting to the TV such as keyboard. Then select **Pair** and press [OK] key to match.
4. All the paired devices will be listed, and you can press [▲]/[▼] key to browse them.

Important Statement on Network Services


All contents and services obtained from this TV set belong to the third party and are protected by laws on copyright, patent right, trademark right and/or other intellectual property right. The said contents and services are only for your non-commercial purposes. It is not allowed to use any content or service without the authorization of the content owner or the service provider.

Our company will undertake no liability for any direct, indirect and accidental losses or damages caused by your or a third party's access to any content or service or any information or any third party software through this set under any circumstances.

Third party service may be changed, deleted or stopped without prior notice. Our company neither implies nor guarantees the continuous availability of some service or content within any period of time.

Our company is not held responsible for services related to the said service and content. Besides, we will not bear any liability for client service. Please directly contact relevant content and service providers if you have any problem and service request concerning relevant service or content.

Troubleshooting

- **Snowflake spots occur in the TV images and there is noise in accompanying sound.**
 1. Check if the antenna plug is loose or the cable is in good condition.
 2. Check the antenna type (VHF/UHF).
 3. Adjust the direction and position of the antenna.
 4. Try to use signal enhancer.
- **There is neither display nor sound on the screen. The indication light is not on.**
Check if the power line is connected.
- **Dotted line or strip disturbance occurs in TV images.**
Do not use electric hair dryer aside the TV set and adjust the antenna direction to reduce disturbance.
- **Double images occur on the TV screen.**
 1. Use high oriented antenna.
 2. Adjust the direction of the antenna.
- **The images are colorless.**
Enter  setting to increase color saturation.
- **The TV has no accompanying sound.**
 1. Adjust the volume to a proper degree.
 2. Press [MUTE] key on the remote control to cancel mute mode.
- **No signal input images show on the machine screen. The indicator light is blinking.**
 1. Check if the signal connecting cable is loose or falls off. Reconnect it.
 2. The machine may be in standby mode, please reboot.
- **The remote control distance is short or out of control.**
 1. Remove the object to avoid blocking the remote control receiving window.
 2. Replace the battery.
- **The browser cannot access any link.**
 1. Ask the network administrator to obtain available IP address and other parameters.
 2. Check if the network connecting cable is normally connected.
 3. Consult the network service provider.
- **Online video play is very slow.**
 1. Please upgrade your network bandwidth to a higher one.
 2. Please try to replace with other addresses to obtain better resources.

- **Machine is slow, system crash, can't operate the machine.**

Disconnect the power supply first, and connect the power supply after about 1-2 minutes, then turn on the TV again.

Technical Specifications

Master unit

Max. Resolution	3840×2160
Power Supply	100-240VAC 50/60Hz
Power Consumption of Speaker	8W+8W
Operating environment:	
Temperature	5°C~40°C
RH	20%~80%
Atmospheric pressure	86kPa~106kPa
Storage environment:	
Temperature	-20°C~55°C
RH	20%~80%
Atmospheric pressure	86kPa~106kPa

Dimension (L×W×H) and Weight

Excluding base	Unpacking: 1110×88×642(mm ³)
Including base	Unpacking: 1110×270×692(mm ³)
	Packing: 1213×126×754(mm ³)
	Net Weight: 9.5kg Gross Weight: 11.6kg

Technical specifications for TV

1. Supported standard:
 - ATV:** PAL D/K, I, B/G, SECAM D/K, B/G;
 - DTV:** DVB-T (DVB-T2 option).
2. Antenna input: 75Ω coax, unbalanced.
3. AV video input: 75Ω, 1±0.1Vp-p, RCA terminal.
4. AV audio input: 20KΩ, 0.2~2Vrms.
5. HDMI video input: 480i, 480P, 576i, 576P, 720P, 1080i, 1080P, 2160P.
6. Specific internal memory capacity in accordance with actual configuration.
7. Specific cache capacity in accordance with actual configuration.
8. Wireless connection: Wi-Fi (IEEE 802.11 b/g/n).
9. Intelligent operating system: Android.

Power management

Mode	Power Consumption	
	50"	
Normal working	≤130W	
Standby	≤0.5W	

HDMI display mode

Video mode			
NO.	Mode	Resolution	Refresh rate
1	SD	720×480i/p	60Hz
2		720×576i/p	50Hz
3	HD	1280×720p	50Hz
4			60Hz
5	FHD	1920×1080i/p	50Hz
6			60Hz
7	UHD	3840×2160p	24Hz
8			25Hz
9			30Hz
10			50Hz
11			60Hz

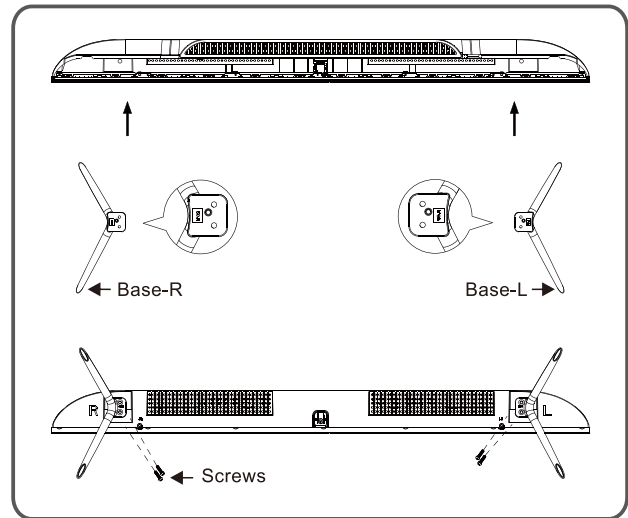
Remark: Under UHD mode, 50Hz and 60Hz refresh rate is effective only under HDMI version 2.0/2.1.

VESA mode			
NO.	Mode	Resolution	Refresh rate
1	VGA	640×480	60Hz
2	SVGA	800×600	60Hz
3	XGA	1024×768	60Hz
4	SXGA	1280×1024	60Hz
5	WXGA	1600×900	60Hz
6	WUXGA	1920×1080	60Hz
7	4K	3840×2160	30Hz
8			60Hz

Remark: Under 4K mode, 60Hz refresh rate is effective only under HDMI version 2.0/2.1.

Base Installation Instructions

Put the machine flat first, distinguish left and right base and base installation front and back direction, then install the bases in the bottom of the machine back cover as arrow direction in figure. Align screw holes, then fasten screws (notice that base module has to be adjusted at figure status, otherwise it cannot be installed in.)



Remark: The actual base and machine appearance may be different from pictures; please refer to the actual device.

Use of a TV wall mounting

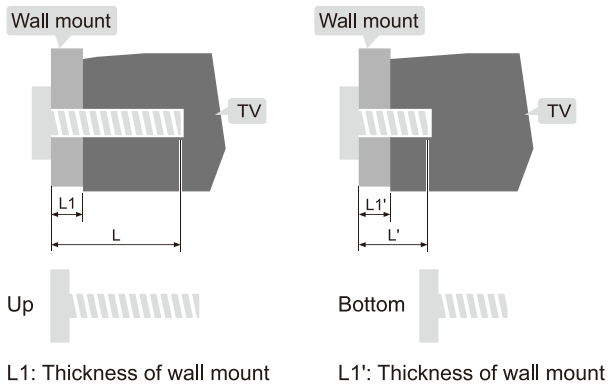
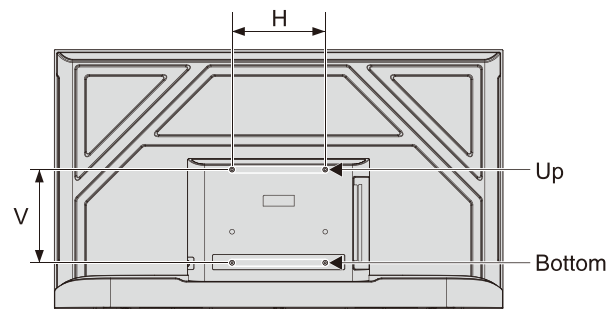
Warning

- Please purchase a suitable TV wall mount when mounting your TV on the wall.
- Ensure that the bearing capacity of the wall for mount installation is no less than 4 times the weight of the TV set and the wall mount so as to avoid falling.
- Please refer to the instructions provided with the TV set and wall mount for installation.
- Make sure there is no cable or conduit in the wall section where a wall mount will be installed.
- Please entrust a professional technician to complete installation. The company shall not be liable for accidents, personal injury or damage caused by improper installation of TV set.

Note:

- If any screws are found in the screw hole for wall mount behind the TV set before installing the wall mount, the screws shall be removed and put in place for later use.
- Please buy the wall screws according to the actual situation.
- If there are flat tail self-tapping screws in the accessories, please decide whether it is suitable for use according to the actual situation of the wall mount.

ST6x8mm flat tail self-tapping screws 2pcs(option)



Distance between holes on the wall(H×V)(mm)	Required screws (recommended bolt length)(mm)
300 x 300	Up: 2 x M6 (18.5+L1≤L≤30+L1), Machine screws Bottom: 2 x ST6 (6+L1'≤L'≤9.5+L1'), Flat tail self-tapping screws









نصب تلویزیون بر روی دیوار

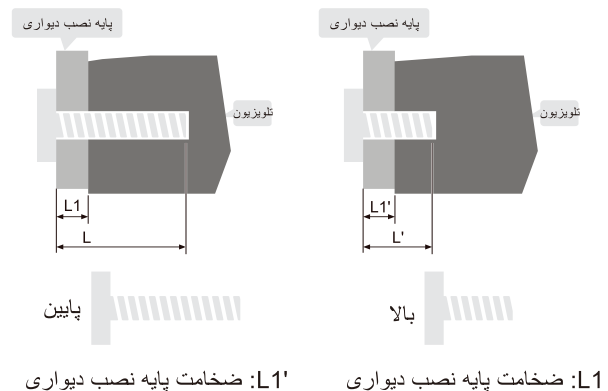
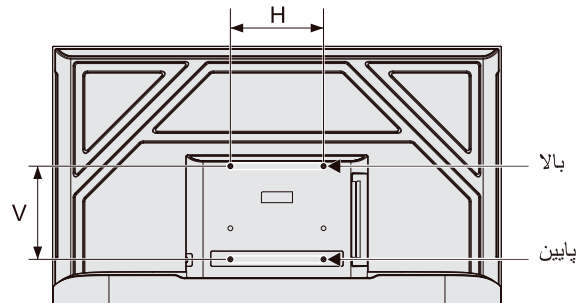
هشدار 

- جهت نصب تلویزیون بر روی دیوار، لطفاً پایه نصب دیواری مناسب را خریداری نمایید.
- برای اجتناب از واژگونی دستگاه، اطمینان حاصل نمایید که میزان تحمل دیوار در حالت نصب دیواری از 4 برابر وزن دستگاه تلویزیون و پایه نصب کمتر نباشد.
- جهت نصب، لطفاً به راهنمای نصب پایه دیواری ارائه شده در این دفترچه، مراجعه نمایید.
- از عدم وجود انشعابات و یا کابل برق، در بخشی از دیوار که در آن پایه دیواری نصب خواهد شد، اطمینان حاصل نمایید.
- برای انجام نصب، از متخصصین مجرب استفاده نمایید. لطفاً توجه داشته باشید شرکت در قبال هرگونه وقوع حوادث، آسیب فردی و یا خسارت ناشی از نصب نادرست دستگاه، دارای هیچگونه مسئولیتی نمی باشد.

فاصله بین سوراخ های روی دیوار (افقی x عمودی) (mm)	پیچ های مورد نیاز (طول پیچ پیشنهادی) (mm)
300 x 300	بالا: $2 \times M6 (18.5+L1 \leq L \leq 30+L1)$ پیچ های دستگاه پایین: $2 \times ST6 (6+L1' \leq L' \leq 9.5+L1')$ پیچ های خودکار سرتخت

توجه:

- در صورت مشاهده هر گونه پیچ اضافی، برای استفاده های بعد در نزد خویش نگهدارید.
 - لطفاً پیچ های دیواری را مطابق با وضعیت واقعی خریداری نمایید.
 - اگر در میان لوازم جانبی پیچ های خودکار وجود داشته باشند، لطفاً با توجه به وضعیت دیوار از آنها استفاده نمایید.
- پیچ های خودکار (سرتخت) **ST6x8** میلی متر 2 عدد (اختیاری)

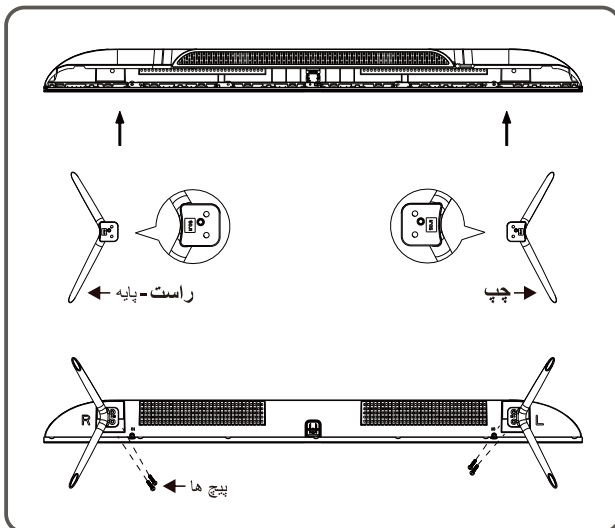


حالت VESA			
شماره	حالت	رزولوشن	نرخ تازه سازی تصویر
1	VGA	640×480	60Hz
2	SVGA	800×600	60Hz
3	XGA	1024×768	60Hz
4	SXGA	1280×1024	60Hz
5	WXGA	1600×900	60Hz
6	WUXGA	1920×1080	60Hz
7	4K	3840×2160	30Hz
8			60Hz

توجه: در حالت UHD، نرخ نوسازی تصویر 60 هرتز فقط در نسخه HDMI 2.0/2.1 موثر خواهد بود.

دستورالعمل نصب پایه

در ابتدا دستگاه را به صورت عمودی (در جهت مخالف) قرار داده و پس از مشخص نمودن پایه های چپ و راست (مانند شکل زیر) آنها را در جای مناسب خود قرار دهید سپس پیچ ها را در جاهای مشخص شده محکم نمایید (لطفاً توجه داشته باشید که پایه پل باید به حالت مشخص شده در شکل تنظیم گردد، در غیر این صورت نمی توان آن را نصب نمود).



توجه: پایه و ظاهر واقعی دستگاه ممکن است با تصاویر متفاوت باشد؛ لطفاً به دستگاه واقعی مراجعه نمایید.

مشخصات فنی تلویزیون

1. استاندارد پشتیبانی شده: ATV ؛B/G، SECAM D/K، B/G، I، PAL D/K؛
DTV: DVB-T (اختیاری).
2. ورودی آنتن: 75 اهم کواکسیال، بالانس نشده.
3. ورودی ویدیو AV: 75 اهم، $1 \pm 0.1V_{p-p}$ ، ترمینال RCA
4. ورودی صدای AV: 20 کیلو اهم، $0.2 \sim 2 V_{rms}$.
5. ورودی ویدیوی HDMI: 480i، 480P، 576i، 576P، 720P، 1080i، 1080P، 2160P.
6. ظرفیت حافظه داخلی ویژه بر اساس پیکربندی واقعی.
7. ظرفیت حافظه پنهان ویژه بر اساس پیکربندی واقعی.
8. اتصال بی سیم: Wi-Fi (IEEE 802.11 b/g/n).
9. سیستم عامل هوشمند: اندروید.

مدیریت توان

حالت	مصرف برق
	50"
کارکرد عادی	≥ 130 وات
آماده بکار	≥ 0.5 وات

حالت نمایش HDMI

حالت ویدیو			
شماره	حالت	رزولوشن	نرخ تازه سازی تصویر
1	SD	720 x 480i/p	60Hz
2		720 x 576i/p	50Hz
3	HD	1280 x 720p	50Hz
4			60Hz
5	FHD	1920 x 1080i/p	50Hz
6			60Hz
7	UHD	3840 x 2160p	24Hz
8			25Hz
9			30Hz
10			50Hz
11			60Hz

توجه: در حالت UHD، نرخ نوسازی تصویر 50 هرتز و 60 هرتز است که فقط در نسخه HDMI 2.0/2.1 موثر خواهد بود.

عیب یابی

■ نقاط بر فکی در تصاویر تلویزیونی بروز میکنند و صدا نیز دارای نویز می باشد.

1. از اتصال صحیح سوکت آنتن و کابل آن اطمینان حاصل نمایید.

2. نوع آنتن را (VHF/UHF) بررسی نمایید.

3. جهت و موقعیت آنتن را تنظیم نمایید.

4. سیگنال تقویت کننده را امتحان نمایید.

■ در صفحه نمایشگر دستگاه، هیچگونه صدا و تصویری دریافت نمی‌گردد. و چراغ نشانگر روشن نمی باشد.

از اتصال صحیح کابل برق اطمینان حاصل نمایید.


■ در تصاویر تلویزیونی، اختلال به صورت خطوط نقطه چین و یا نواری رخ میدهد. از وسایل الکتریکی مانند سشوار در نزدیکی تلویزیون استفاده ننمایید و همچنین آنتن را به گونه ای تنظیم نمایید که دچار کمترین اختلال گردد.

■ تصاویر دو بعدی بر روی صفحه نمایش تلویزیون ظاهر می گردند.

1. از آنتن با جهت یابی بالا استفاده نمایید.


2. جهت آنتن را تنظیم نمایید.

■ تصاویر بدون رنگ هستند.

به قسمت تنظیمات  برای افزایش اشباع رنگ مراجعه نمایید.

■ صدا و تصویر دریافتی با یکدیگر هماهنگ نمی باشند.

1. صدا را به میزان مناسب تنظیم نمایید.

2. دکمه  را بر روی ریموت کنترل فشرده تا حالت بیصدا را لغو نمایید.

■ هیچ سیگنالی از تصاویر ورودی بر روی صفحه نمایشگر دستگاه، دریافت نمی گردد. چراغ نشانگر در حال چشمک زدن می باشد.

1. از اتصال صحیح کابل سیگنال اطمینان حاصل نموده و در صورت عدم اتصال صحیح، آن را مجدداً متصل نمایید.

2. ممکن است دستگاه در حالت آماده به کار باشد، لطفاً آن را راه اندازی نمایید.

■ فاصله ی ریموت کنترل از دستگاه نزدیک یا خیلی دور می باشد.

1. از قراردادن اشیاء در حد فاصل ریموت کنترل و نشانگر تلویزیون اجتناب نمایید.

2. باتری ریموت کنترل را تعویض نمایید.

■ مرورگر نمیتواند به هیچ لینکی دسترسی یابد.

1. از مدیر شبکه آدرس IP و سایر پارامترهای در دسترس را درخواست نمایید.

2. از اتصال صحیح کابل شبکه اطمینان حاصل نمایید.

3. با ارائه دهنده ی خدمات شبکه، مشورت نمایید.

■ پخش ویدئو آنلاین بسیار کند می باشد.

1. لطفاً پهنای باند شبکه خود را به بالاترین میزان ارتقا دهید.

2. لطفاً با آدرسهای جایگزین، منابع بهتری را به دست آورید.

■ دستگاه کند می باشد، سیستم دچار اختلال گردیده است و نمی توان

آن را راه اندازی نمود. ابتدا دستگاه را از پریز برق جدا نمایید، و آن را

پس از (1-2 دقیقه) مجدداً متصل نموده و سپس تلویزیون را روشن نمایید.

مشخصات فنی

دستگاه اصلی

حد اکثر وضوح تصویر	3840 × 2160
منبع تغذیه برق	100-240 ولت جریان متناوب 50/60 هرتز
مصرف برق بلندگو	8 وات+8 وات
محیط کار: دما	5~40 درجه
رطوبت نسبی	20%~80%
فشار جوی	86 کیلو پاسکال~106 کیلو پاسکال
محیط نگهداری: دما	20~55 درجه
رطوبت نسبی	20%~80%
فشار جوی	86 کیلو پاسکال~106 کیلو پاسکال

ابعاد (طول×پهنای×ارتفاع) و وزن

بدون پایه	خارج از بسته بندی: 1110×88×642 (mm ³)
با پایه	خارج از بسته بندی: 1110×270×692 (mm ³) بسته بندی: 1213×126×754 (mm ³) وزن خالص: 9.5 کیلوگرم وزن ناخالص: 11.6 کیلوگرم

تنظیمات شبکه

Wi-Fi

1. در حالت هوشمند، Setting > All Settings > Other > Bluetooth

را انتخاب نموده و دکمه [OK] را برای ورود بفشارید، سپس

دکمه [▶]/[◀] را برای تنظیم بر روی on بفشارید.

2. گزینه Scan را انتخاب نموده و سپس دکمه [OK] را بفشارید،

بلوتوث شروع به اسکن خواهد نمود. و دستگاه های قابل دسترس لیست خواهند گردید.

3. دستگاهی را که می خواهید به آن متصل گردید را انتخاب نموده و گزینه [OK] را بفشارید، سپس تلویزیون شروع به متصل شدن می نماید.


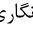
شما باید هنگامی که برخی از دستگاه ها نظیر صفحه دکمه به تلویزیون متصل هستند، اتصال را تأیید نمایید، سپس گزینه جفت شدن را انتخاب نموده و گزینه [OK] را بفشارید تا برقراری ارتباط صورت گیرد.

4. تمام دستگاه های جفت شده در لیست خواهند بود، و شما می توانید با فشردن دکمه [▼]/[▲] آنها را پیمایش نمایید.

1. در حالت هوشمند، Setting > Network > Wi-Fi

انتخاب نموده و دکمه [OK] را بفشارید و سپس دکمه [▶]/[◀] را برای انتخاب گزینه

on یا off بفشارید.

هنگامی که گزینه On را انتخاب می نمایید، دستگاه به طور خودکار به دنبال سیگنال شبکه بی سیم نزدیک می گردد. شبکه هایی با نماد ، نشان دهنده اتصال بدون رمز عبور می باشد. و شبکه هایی با نماد  رمزنگاری شده اند و برای اتصال به آنان باید رمز عبور صحیح را وارد نمایید.

2. در لیست شبکه ها، شبکه مدنظرتان را انتخاب نموده و دکمه [OK] را بفشارید.

3. رمز عبور را در محل صحیح آن وارد نموده و سپس گزینه

Connect را انتخاب نموده و دکمه [OK] را برای اتصال بفشارید.

اترنت

1. Setting > Network > Ethernet

را انتخاب نموده و دکمه [OK] را بفشارید.

2. Auto Connect را بر روی On قرار دهید، در این صورت، دستگاه شما به طور خودکار یک آدرس IP را خواهد یافت.

3. در صورت عدم دریافت آدرس IP به صورت خودکار، میبایستی تنظیمات اتصال خودکار را به Off تغییر داده و سپس در قسمت تنظیمات IP دکمه [OK] را برای ورود بفشارید؛

4. آدرس IP، Gateway، Subnet Mask و DNS1، DNS2 را وارد نمایید.

5. دکمه [OK] را انتخاب نموده و برای اتصال به شبکه بفشارید.

پورتابل HOTSPOT

1. Setting > Network > Portable Hotspot

را انتخاب نموده و دکمه [OK] را بفشارید.

2. Hotspot Settings را بر روی On قرار دهید.

3. در قسمت نام شبکه، نام هات اسپات مدنظرتان را وارد نمایید.

4. در قسمت امنیتی، با فشردن دکمه [▶]/[◀] نوع امنیتی را انتخاب نمایید. در صورتیکه نوع امنیتی None انتخاب شده باشد، هیچ کس برای اتصال به شبکه نیازی به رمز عبور نخواهد داشت. اگر WPA2 PSK را انتخاب نمایید، در این صورت باید یک رمز عبور با بیش از هشت کاراکتر وارد نمایید. هر فردی که خواستار اتصال به WiFi شما باشد، باید رمز عبور صحیح را وارد نموده و به شبکه شما متصل گردد.

5. شما می توانید رمز عبور مدنظرتان را در جای صحیح آن وارد نمایید.

6. گزینه Save را انتخاب نموده و دکمه [OK] را برای ذخیره

تنظیمات بفشارید، سپس سایر دستگاه های Wi-Fi شروع به جستجوی شبکه های Wi-Fi در محدوده شما خواهند نمود.

تنظیمات بلوتوث (اختیاری)

بیانیه مهم درباره خدمات شبکه

تمام محتوا ها و خدماتی که از این تلویزیون دریافت می گردند

متعلق به شخص ثالث بوده و تحت قوانین حقوقی حفاظت از حقوق مولف، حقوق اختراع، حق ثبت تجاری و یا سایر... حقوق

مالکیت فکری قرار دارند. این محتوا ها و خدمات فقط برای مصارف غیر تجاری شما می باشند. استفاده از هرگونه محتوا و خدمات بدون مجوز صاحب محتوا یا ارائه دهنده خدمات مجاز نمی باشد.

شرکت ما هیچ مسئولیتی در قبال از دست دادن مستقیم، غیر

مستقیم یا تصادفی برای دسترسی شما یا شخص ثالث به هر محتوا یا خدمات یا هرگونه اطلاعات یا نرم افزار شخص ثالثی ندارد که از

طریق این مجموعه در دسترس قرار می گیرد.

خدمات شخص ثالث ممکن است بدون اطلاع قبلی تغییر، حذف یا متوقف شوند. شرکت ما هیچ ضمانتی در قبال دسترس بودن مداوم

هر خدمت و محتوایی در هر دوره زمانی ندارد.

شرکت ما مسئولیتی در قبال خدمات و محتوای مذکور ندارد و

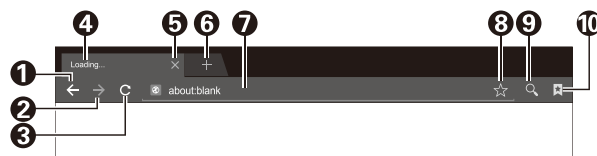
همچنین هیچ مسئولیتی در قبال خدمات مشتری نداریم. لطفا در

صورت داشتن هرگونه مشکل و درخواست خدمات مربوط به

خدمات و محتوای مربوطه، با ارائه دهندگان محتوا و خدمات مربوط تماس بگیرید.

برنامه های هوشمند

مرورگر : شما می توانید از مرورگر برای نمایش متن، ویدیو، صدا و سایر اطلاعات موجود در اینترنت استفاده نمایید. قبل از ورود به اینترنت، لطفاً تلویزیون خود را به شبکه متصل نمایید؛ جزئیات را در بخش "Network Settings" مشاهده فرمایید.



1	بازگشت به صفحه وب قبلی.
2	به صفحه وب بعدی بروید.
3	صفحه وب را تازه سازی کنید.
4	پنجره صفحه وب مرورگر.
5	پنجره صفحه وب فعلی را ببندید.
6	یک پنجره صفحه وب جدید را اضافه کنید.
7	کادر ورودی برای URL.
8	گزینه مربوط به افزودن یک نشانک.
9	گزینه ورودی برای URL.
10	گزینه برای مشاهده نشانک.

توجه: دکمه [Menu] را برای نمایش گزینه منوی مرورگر بفشارید.

چگونه به آدرس شبکه دسترسی پیدا کنیم؟

برای انتخاب نوار آدرس، دکمه های [▲]/[▼]/[◀]/[▶] را بفشارید، و آدرس شبکه را در نوار آدرس تایپ نمایید، سپس آیکن → را در Input method انتخاب نموده و دکمه [OK] را برای دسترسی به آدرس شبکه بفشارید.

چگونه یک صفحه را در Bookmark ذخیره نماییم؟

برای این منظور، آیکن ☆ را در browser interface انتخاب نموده و دکمه [OK] را برای ورود به Browser tab و web address بفشارید. سپس Account را انتخاب نموده و دکمه [OK] را بفشارید. دکمه های [▲]/[▼] را برای انتخاب حساب ذخیره سازی بفشارید. سپس دکمه [OK] را برای اضافه کردن Bookmark بفشارید.

Apk Installer :Apk Installer به کاربران در مدیریت برنامه ها کمک و همچنین امکان نصب یا حذف برنامه ها را در Local disk فراهم می نماید.

چگونه یک برنامه را نصب نماییم؟

گزینه My Apps > All Apps > File Manager را انتخاب نموده و دکمه [OK] را برای ورود بفشارید. سپس دکمه های [▲]/[▼]/[◀]/[▶] را برای انتخاب برنامه های پیشنهادی Apk فشرده و دکمه [OK] را برای ورود بفشارید. فایل مورد نظران را برای نصب در محل ذخیره سازی داخلی را انتخاب نموده و دکمه [OK] را بفشارید. سپس INSTALL را انتخاب نموده دکمه [OK] را بفشارید. بعضی از فایل ها Apk نیاز به تنظیمات امنیتی در هنگام نصب دارند.

چگونه یک برنامه را حذف نماییم؟

دکمه My Apps > Smart Assistant > App Manager انتخاب نمایید.

سیس برنامه ای که می خواهید حذف گردد را انتخاب نموده و دکمه [OK] را بفشارید، سپس گزینه Uninstall را انتخاب نموده و دکمه [OK] را برای حذف برنامه بفشارید.

پخش کننده چندرسانه ای: در حالت هوشمند گزینه Multimedia را در

رابط کاربری اصلی انتخاب نموده و دکمه [OK] را برای اجرا بفشارید. نوع فایل مدنظران را از بین ویدیو Video، موسیقی Music و تصویر Picture انتخاب نمایید.

پخش فایل ها در دستگاه Local disk: پیش از پخش فایل ها در قسمت

Local disk، USB را به درگاه آن متصل نمایید.

دستگاه Local disk را در فهرست فایل انتخاب نموده و دکمه [OK] را برای ورود بفشارید. پوشه یا فایل مورد نظر را انتخاب نموده و دکمه [OK] را برای ورود به پوشه یا پخش فایل بفشارید، سپس با دکمه [Back] به صفحه اصلی بازگردید.

توجه:

1. USB های نامعتبر نمی توانند به درستی شناسایی شوند؛ در این صورت،

لطفاً USB استاندارد را جایگزین نمایید؛

2. سیستم پخش چندرسانه ای محدودیت هایی در قالب فایل ها دارد؛ در صورتی که خارج از محدودیت سیستم باشد، پخش نامعمول خواهد بود؛

3. در هنگام پخش، USB را از درگاه آن خارج ننمایید، در غیر

این صورت، سیستم یا دستگاه ممکن است دچار مشکل گردد؛

پیش از تعویض USB، لطفاً منبع برق دستگاه را خاموش نمایید

4. سیستم از دستگاه هایی با استاندارد USB1.1 و USB2.0 پشتیبانی

می نماید، مانند: USB و هارد دیسک های قابل جابه جایی؛

5. حداکثر جریان خروجی موجود در پورت USB این دستگاه، 500 میلی

آمپر می باشد؛ اگر جریان استفاده شده توسط دستگاه خارجی بیشتر از حد

مشخصی باشد، حالت حفاظت خودکار {self-protection} فعال خواهد

گردید. لطفاً در صورت اتصال یک دستگاه خارجی با جریان بالاتر، از منبع تغذیه

خارجی استفاده نمایید.

6. سیستم پیچیده می باشد؛ در هنگام خواندن و پخش فایل ها، صفحه

نمایش ممکن است ثابت گردد و یا برخی عملکردها به دلیل سازگاری و

پایداری دستگاه USB ناموفق گردند؛ در این صورت، لطفاً دستگاه را

خاموش نموده و سیستم را مجدداً راه اندازی نمایید.

در هنگام پخش، برای نمایش و یا مخفی نمودن نوار ابزار دکمه [Menu] را

بفشارید؛ گزینه منو مورد نظران را انتخاب نموده و دکمه [OK] را برای

اجرای عملیات بفشارید؛ شما همچنین می توانید با فشردن دکمه [Back]،

از پخش خارج گردید، و یا با استفاده از دکمه های [▶]/[◀]/[⏪]/[⏩]

(play)/[▶]/[▶]/[⏪]/[⏩] بر روی ریموت کنترل از روش

میانبر استفاده نمایید.

گزینه REC

دستورالعمل هایی برای عملکردهای هوشمند دستگاه عملکردهای ابتدایی

- برای نمایش صفحه اصلی، دکمه [Home] را بفشارید.
1. با فشردن دکمه [▲]/[▼]/[▶]/[◀]، یک برنامه را انتخاب نمایید.
 2. با فشردن دکمه [OK]، برنامه را اجرا نمایید.
 3. با فشردن دکمه [Back]، به صفحه قبلی (پیشین) بازگردید.

★ نکات ویژه

عملکرد ها در حالت هوشمند بسیار پیچیده می باشند. کاربر می تواند با روشهای متفاوتی برنامه را نصب نماید و دستورالعمل های موجود در این دفترچه، تنها به عنوان مرجع می باشد. بخشی از برنامه ها به تجهیزات خارجی برای عملکرد صحیح نیاز دارند. برخی از عملکردها به وسیله ریموت کنترل امکان پذیر نیستند. برای عملکرد مناسب و دسترسی بهتر، لطفاً با ریموت کنترل ایرموس و صفحه کلید موجود در آن، عمل نمایید.

شروع سریع

پیش از استفاده از این دستگاه، لطفاً با عملکردهای زیر آشنا شوید تا تجربه بهتری داشته باشید.

ریموت کنترل ایرموس

1. کلیک: بر روی دکمه موس { Mouse } کلیک نموده و فوراً آن را رها نمایید.
2. بفشارید و آن را نگه دارید: بر روی دکمه موس { Mouse } کلیک نموده و به مدت سه ثانیه آن را نگه دارید.
3. دکمه سمت چپ ریموت ایرموس، دارای اثر یکسان با کلیک بر روی دکمه [OK] در ریموت کنترل را دارا می باشد.
دکمه سمت راست ریموت ایرموس، دارای اثر یکسان با کلیک بر روی دکمه [Back] در ریموت کنترل را دارا می باشد.

تنظیم زبان ورودی

زبان: در حالت هوشمند، زبان سیستم را انتخاب نمایید. گزینه **Setting > Language** را انتخاب نموده سپس دکمه [OK] را بفشارید. با کلیک کردن دکمه [▲]/[▼] زبان مورد نظر را انتخاب نمایید، و سپس دکمه [OK] را بفشارید.

انتخاب روش ورودی: در حالت هوشمند، گزینه **All Settings < Setting** **Input Method < Universal** را انتخاب نموده، و دکمه [▶]/[◀] بفشارید تا روش ورودی را انتخاب نمایید. همچنین می توانید روش ورود طرف سوم را دانلود و نصب نمایید.

تنظیم ساعت سیستم: در حالت هوشمند، گزینه **Time < Setting** **Automatic Date&time** ، سپس ساعت جهانی را با استفاده از اینترنت برای دستگاه تنظیم می شود. همچنین می توانید زمان سیستم را به صورت دستی نیز تنظیم نمایید.

در حالت DTV، با فشردن دکمه [●]، منوی عملکرد REC در صفحه نمایش داده می شود و سامانه شروع به ضبط می کند. برای متوقف نمودن و یا خروج از ضبط، دکمه [■] را بفشارید؛ برای بازیابی، دکمه [Menu] را فشرده و گزینه [●] را انتخاب نمایید، و سپس با فشردن دکمه [OK] می توانید فایل مورد نظر را مشاهده نمایید.

نماد	شرح
▶	پخش: پخش.
■	توقف: توقف و خروج.
	مکث: مکث.
◀◀	FB: حرکت سریع به عقب، جهت پخش عادی کلید (Play) [▶] را فشار دهید.
▶▶	FF: حرکت سریع به جلو، جهت پخش عادی کلید (Play) [▶] را فشار دهید.
▶	جلو: جهش 30 ثانیه ای به جلو.
◀	عقب: جهش 30 ثانیه ای به عقب.

توجه: قابلیت ضبط تنها می تواند سیستم FAT32 را پشتیبانی نماید. سایر سیستم ها نیاز به قالب بندی دارند؛ قبل از قالب بندی حافظه، اطلاعات مفید نسخه پشتیبان را ذخیره نمایید زیرا محتوای حافظه پس از قالب بندی، قابل بازیابی نمی باشد.

گزینه Time Shift

در حالت DTV، با فشردن دکمه [T.Shift]، منوی عملکرد Time Shift در صفحه تلویزیون، نمایش داده می شود و برنامه در وضعیت تعلیق قرار می گیرد؛ برای ادامه پخش برنامه، دکمه [▶] (Play) را بفشارید. برای متوقف نمودن و خروج از حالت Time-shift، دکمه [■] را بفشارید. زمانی که کاربر برای مدت زمان کوتاهی از برنامه خارج گردد، عملکرد Time-Shift قادر است برنامه در حال پخش را به حالت تعلیق درآورده و آن را در دیسک U ذخیره نماید. هنگامی که کاربر به پخش برنامه بازگردد، می تواند مجدداً به حالت پخش بازگردد.

نماد	شرح
▶	پخش: پخش.
■	توقف: توقف و خروج.
	مکث: مکث.
◀◀	FB: حرکت سریع به عقب، جهت پخش عادی کلید (Play) [▶] را فشار دهید.
▶▶	FF: حرکت سریع به جلو، جهت پخش عادی کلید (Play) [▶] را فشار دهید.
▶	جلو: جهش 30 ثانیه ای به جلو.
◀	عقب: جهش 30 ثانیه ای به عقب.
🕒	زمان پخش: زمان پخش را انتخاب کنید.

عملکردهای اولیه

توجه:

1. برای آگاهی از نحوه عملکرد دکمه های ریموت کنترل و دکمه های موجود بر روی کنترل پنل، به توضیحات مربوط به "Remote Control Operation"، "Panel Control Keys" مراجعه نمایید.
2. ساختار عملکرد منوی تلویزیون بر اساس حالت آن (TV Mode) بیان شده است. عملکردها در حالت های دیگر مشابه (TV Mode) می باشد و کاربران می توانند آن را به عنوان مرجع مورد استفاده قرار دهند.
3. لطفاً پیش از روشن نمودن دستگاه، اطمینان حاصل نمایید که منبع برق در حالت پایدار می باشد.

حالت روشن /آماده به کار

کابل برق را به پریز متصل نمایید. سپس دکمه [⏻] را برای روشن نمودن تلویزیون فشار دهید. صفحه نمایش منوی "Welcome" را نمایش خواهد داد و سپس می توانید زبان، شبکه و زمان را بر اساس نیاز خود تنظیم نمایید. سرانجام، گزینه پایان را انتخاب نموده و دکمه [OK] را فشار دهید.

در حالت روشن، دکمه [⏻] را برای تغییر به حالت آماده به کار فشار دهید.

★ نکات ویژه: این دستگاه از فناوری صرفه جویی در مصرف انرژی استفاده می نماید.

اگر در حالت روشن بدون ورود سیگنال باشد، در پنج دقیقه به طور خودکار به حالت آماده به کار می رود. این دستگاه در حالت Sleep Time (مشخص نمودن زمان خواب)، به صورت خودکار به حالت آماده به کار می رود.

انتخاب منبع سیگنال

شما می توانید انواع دستگاه ها را به تلویزیون متصل نموده و تصاویر با کیفیت بالا را مشاهده نمایید. اگر دستگاه ویدیویی دارای پورت خروجی HDMI، AV، یا سایر پورت های خروجی باشد، می توانید یکی از آنها را انتخاب نموده و به پورت ورودی مربوطه تلویزیون متصل نمایید. پس از اتصال، دستگاه را روشن نموده و دکمه [Source] را فشار دهید، سپس منوی منبع سیگنال روی صفحه نمایش نشان داده می شود. با فشردن دکمه [▶] / [◀] سیگنال ورودی را انتخاب نموده و دکمه [OK] را برای تأیید فشار دهید.

توضیح عملکردهای منو

- برای مشاهده منوی اصلی بر روی صفحه نمایش، دکمه [Menu] را فشار دهید:
1. دکمه [▲] / [▼] را برای انتخاب یکی از موارد [☰] (تصویر)، [⏻] (صدا)، [CH] (کانال)، [⚙️] (تنظیمات)، [⏸️] (کنترل والدین) فشرده و سپس دکمه [▶] را برای ورود به منوی انتخاب شده، فشار دهید.
 2. دکمه [▲] / [▼] را برای انتخاب یکی از موارد موجود در منو فشار دهید.
 3. دکمه [OK] را برای ورود به منوی فرعی، فشار دهید.
 4. دکمه [▶] / [◀] را برای انطباق میزان یا تنظیم موارد، فشار دهید.
 5. هنگامی که منوی اصلی بر روی صفحه نمایش نشان داده می شود، دکمه [Menu] را برای خروج از منوی اصلی، فشار دهید؛ دکمه [Back] را برای بازگشت به منوی قبلی در زمانیکه تلویزیون منوی فرعی را نشان می دهد، فشار دهید.
 6. در هنگام انجام عملکردهای منو، آیکون های نامعتبر به رنگ خاکستری تغییر خواهند کرد.
- توجه: رمز عبور پیش فرض برای سیستم قفل 0000 است.

اسکن برنامه ها:

پیش از شروع به تماشای تلویزیون برای اولین بار، کانال ها را تنظیم نمایید. پیش از اسکن، لطفاً اطمینان حاصل نمایید که آنتن به درستی متصل گردیده است.

کانال یابی DTV (در منبع سیگنال DTV)

الگوی زیر نمونه ای از اسکن کانال ها تحت پوشش DVBT می باشد: دکمه [Menu] را فشار دهید، و دکمه [CH] < Antenna Type < DVBT انتخاب نمایید، سپس دکمه [OK] را فشار دهید.

کانال یابی خودکار

دکمه [Menu] را فشار دهید، و [CH] < Auto Tuning را انتخاب نمایید، سپس دکمه [OK] را فشار دهید. حال می توانید کشور خود را انتخاب نموده و دکمه [OK] را برای تأیید فشار دهید (زمانی که چندین کشور انتخاب شده باشد، باید رمز عبور را وارد نمایید). دستگاه پس از انتخاب Start Scan شروع به اسکن خودکار می نماید. در طول اسکن خودکار، می توانید با انتخاب دکمه Stop Scan، اسکن را متوقف نمایید.

کانال یابی دستی DTV

دکمه [Menu] را فشار دهید، [CH] < DTV Manual Tuning را انتخاب کنید. سپس دکمه [OK] را فشار دهید تا وارد منوی DTV Manual Tuning شوید. دکمه [▶] / [◀] را برای انتخاب کانال فشار دهید، سپس دکمه [▼] را برای انتخاب Start Scan و دکمه [OK] را برای تأیید، فشار دهید.

کانال یابی ATV (در منبع سیگنال ATV)

کانال یابی خودکار

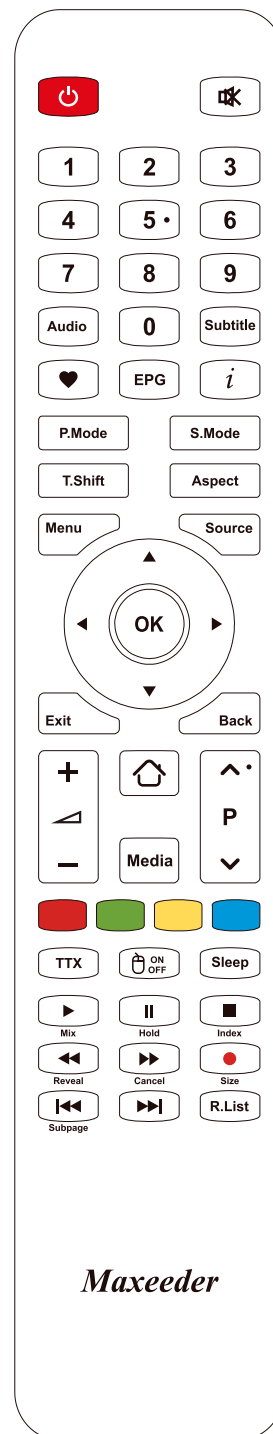
دکمه [Menu] را فشار دهید، [CH] < Auto Tuning، سپس دکمه [OK] را برای تأیید فشار دهید. دستگاه پس از انتخاب Start Scan شروع به اسکن خودکار می نماید. در طول اسکن خودکار، با انتخاب دکمه Stop Scan، می توانید اسکن را متوقف نمایید.

کانال یابی دستی ATV

دکمه [Menu] را فشار دهید، [CH] < ATV Manual Tuning، سپس دکمه [OK] را فشار دهید تا وارد منوی ATV Manual Tuning شوید. دکمه [▶] / [◀] را برای انتخاب فرکانس فشار دهید، سپس می توانید گزینه های Scan Up یا Scan Down، برای مرتب سازی فرکانس بالا یا پایین، انتخاب نمایید. در طول مدت فرآیند کانال یابی، با انتخاب دکمه Stop Scan، می توانید اسکن را متوقف نمایید.

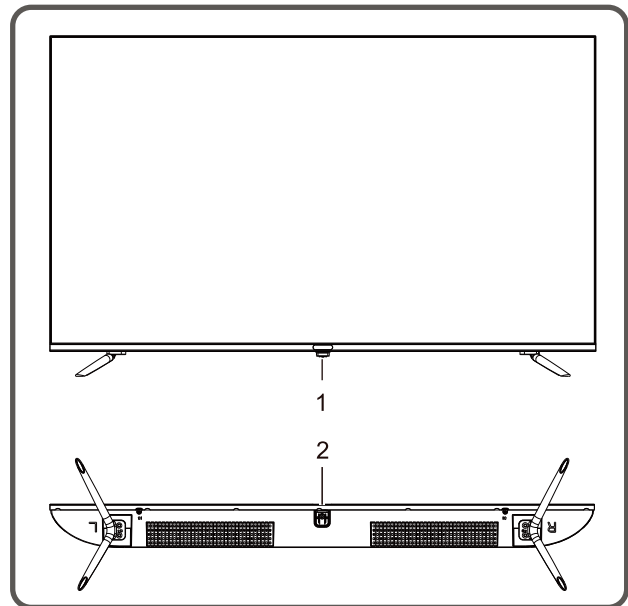
کلید های ریموت کنترل

دکمه ها	عملکرد
Power (⏻)	دکمه خاموش و روشن نمودن تلویزیون
Home (🏠)	صفحه اصلی
Mute (🔇)	دکمه قطع و وصل صدا
Number keys(0~9)	درج شماره
Back	بازگشت به صفحه قبلی
Media	کلید میابنر چند رسانه ای
♥	لیست کانال های مورد علاقه
i	نشان دادن اطلاعات برنامه های در حال پخش
EPG	راهنمای الکترونیکی برنامه ها
Source	انتخاب منبع سیگنال (فقط در حالت TV)
ON OFF	خاموش و یا روشن نمودن آیکون موس
Menu	منو تنظیمات
Red key	عملکرد خاص دکمه ها
Green key	
Yellow key	
Blue key	
Cursor keys (▲, ▼, ◀, ▶)	دکمه های جهت دار در اطراف دکمه OK جهت انتخاب گزینه ها و یا تنظیم مقادیر استفاده شود.
OK	تایید عملکردها و نمایش لیست کانال ها
VOL+/- (⏮ ⏭)	کم و زیاد نمودن صدا
CH+/- (⏪ ⏩)	تغییر کانال ها
TTX	تلکتکست
Sleep	حالت خواب خودکار
Exit	خارج شدن از صفحه قبلی
P.Mode	انتخاب حالت تصویر
S.Mode	انتخاب حالت صدا
T.Shift	تغییر زمان در حالت DVT
Aspect	تغییر حالت صفحه نمایش
Subtitle	جهت انتخاب زبان زیرنویس
Audio	منوی زبان صوتی
■ (Index)	متوقف نمودن (در تلکتکست: بازگشت به فهرست)
▶ (Mix)	دکمه پخش (در تلکتکست: نمایش همزمان تصویر زمینه و متن) مکث در حالت پخش محتوای چندرسانه ای (در تلکتکست: نگاه داشتن نمایشگر در صفحه فعلی)
⏮ (Hold)	برگشت سریع تر (در تلکتکست: نمایش محتوای پنهان)
▶▶ (Cancel)	پیش رفتن سریع (در تلکتکست: پنهان کردن محتوا به طور موقت)
● (Size)	شروع ضبط برنامه در حال پخش (تغییر سایز در تلکتکست)
⏮⏮ (Subpage)	فایل قبلی در حالت پخش محتوا چندرسانه ای (نشان دادن صفحات فرعی).
▶▶▶	فایل بعدی در حالت پخش محتوا چندرسانه ای
R.List	لیست برنامه های ضبط شده



ظاهر ریموت کنترل ممکن است با این طرح متفاوت باشد لطفاً به طرح استاندارد مراجعه فرمایید .

کلیدهای کنترل پنل



1. نشانگر LED پاور و حسگر ریموت کنترل

2. دکمه ⏻ :

برای فعال یا شروع به کار تلویزیون دکمه ⏻ را بر روی ریموت کنترل وارد نمایید.

①. هنگامی که کابل برق را به پریز متصل می‌نمایید شما می‌توانید دکمه ⏻ را برای روشن نمودن تلویزیون بفشارید.

②. در حالت روشن، با نگه داشتن دکمه ⏻ ، قابلیت Menu نمایش داده می‌شود، سپس با فشردن و نگه داشتن دکمه ⏻ ، آیکن ⏻ را انتخاب نمایید و با فشردن دکمه ⏻ ، تلویزیون را خاموش نمایید. پس از روشن نمودن تلویزیون:

① با نگه داشتن دکمه ⏻ ، قابلیت منو نمایش داده می‌شود.

②. در قابلیت منو، با نگه داشتن دکمه ⏻ ، آیتم بعدی را انتخاب نموده و با فشردن دکمه ⏻ ، آن را تأیید نمایید.

توضیح:

۱. تفاوت های ظاهری به مدل دستگاه بستگی دارد و شکل واقعی برتری خواهد داشت.

۲. برای انجام عملکردهای بیشتر، لطفاً از ریموت کنترل استفاده نمایید.

ریموت کنترل

روش نصب باتری ریموت کنترل درپوش محفظه باتری را بردارید و دو باتری نیم قلمی را در آن وارد کنید (شماره ۷، ۱.۵ ولت)؛ مطمئن شوید که قطبیت باتری ها مطابق با نشانه های قطبیت "+" و "-" در محفظه باتری ریموت کنترل باشد.

اقدامات محتاطانه جهت استفاده از ریموت کنترل:

- هنگام استفاده از ریموت کنترل، آن را در مقابل نشانگر LED قرار دهید. هنگامی که جسمی بین ریموت کنترل و نشانگر LED قرار گیرد ممکن است اختلال ایجاد نماید.
- از لرزش شدید ریموت کنترل باید جلوگیری شود. علاوه بر این، لطفاً از قرار دادن ریموت کنترل در مقابل تابش مستقیم نور خورشید جلوگیری نمایید، چرا که انرژی گرمایی آن، ممکن است باعث اختلال در عملکرد ریموت کنترل گردد.
- در صورتیکه ریموت کنترل در مقابل نور مستقیم خورشید قرار گیرد، امکان دارد کارایی خود را از دست بدهد لطفاً به زاویه تابش و یا زاویه تلویزیون دقت نموده و در صورت لزوم آن را تغییر دهید. و همچنین از ریموت کنترل در نزدیکی نشانگر LED استفاده نمایید.
- کاهش انرژی باتری می تواند بر محدوده عملکرد باتری تأثیرگذار باشد. در این صورت باید باتری با نمونه جدید دیگر جایگزین نمایید. در صورت عدم استفاده از ریموت کنترل به مدت طولانی، لطفاً باتری ها را از آن خارج نموده تا از خوردگی و نشت باتری جلوگیری گردد زیرا امکان دارد به ریموت کنترل آسیب برسد.
- باتری های قدیمی و جدید را به طور همزمان با یکدیگر استفاده ننمایید. این امر موجب کاهش طول عمر باتری ها و یا نشت مواد شیمیایی می گردد. حتی در صورت عدم کارکرد یکی از باتری ها، هر دو را همزمان تعویض نمایید.
- لطفاً از پرتاب نمودن باتری به داخل آتش بپرهیزید و باتری های ضایعاتی را به موجب مقررات مربوط به حفاظت محیط زیست دفن نمایید.

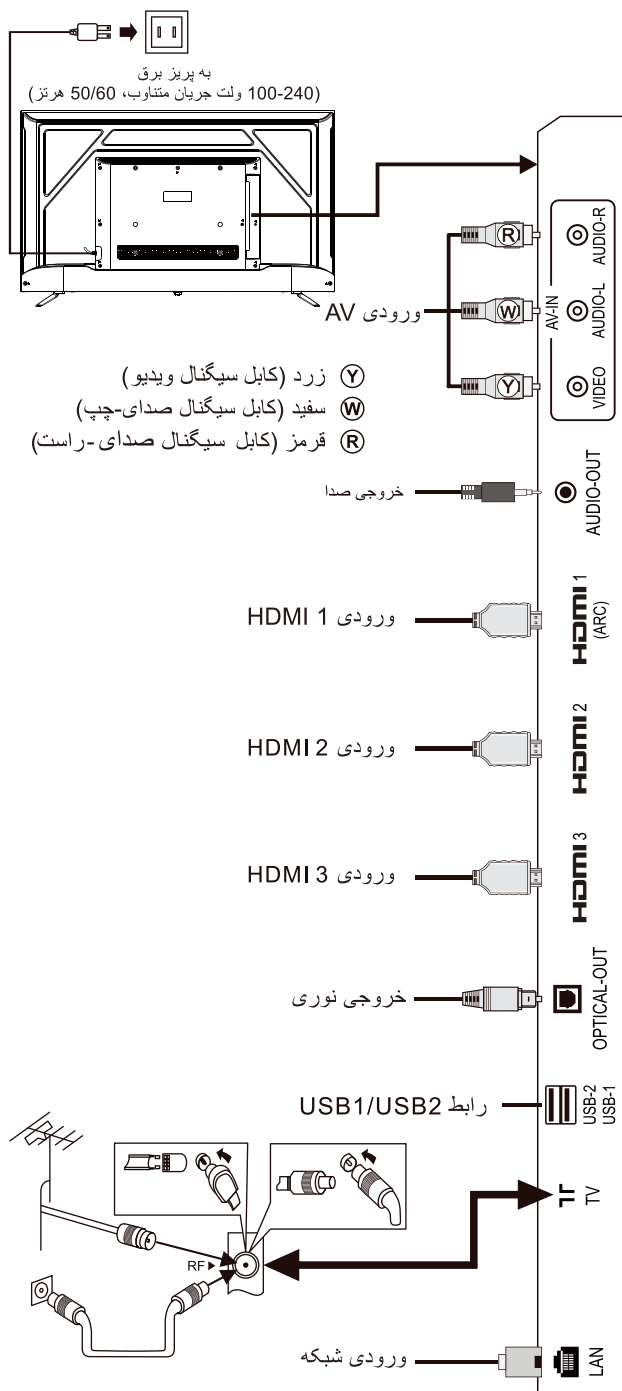
اتصال تجهیزات جانبی

توضیح:

1. رابط های USB که از تجهیزات جانبی پشتیبانی می کنند شامل دستگاه ذخیره سازی USB و ایرموس و کیبورد و غیره ...
2. هنگامی که شما نیاز به اتصال دستگاهی دارید که عملکرد ARC را پشتیبانی می نماید، لطفاً رابط (HDMI-1) را انتخاب نمایید.
3. رابط HDMI میتواند عملکرد اتصال قابلیت DVI با کاموتیتر HDMI/DVI مشخص نماید.
4. تجهیزات جانبی و کابل های ذکر شده در این دفترچه راهنما باید به صورت جداگانه خریداری گردند.

هشدار: 

هنگام اتصال آنتن خروجی به رابط سیگنال تلویزیون، لطفاً ابتدا کلید برق اصلی تلویزیون را خاموش نمایید. جهت اجتناب از برق گرفتگی، آنتن خروجی را در نزدیکی کابل برق با ولتاژ بالا قرار ندهید. کابل آنتن متصل به تلویزیون باید از زمین جدا باشد، در غیر این صورت باعث آتش سوزی یا خطرات دیگر می گردد.

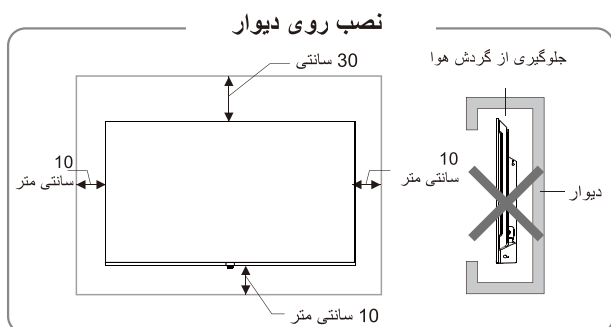


نصب و اتصالات

نصب تلویزیون

نکاتی در مورد نصب

- تلویزیون باید به نزدیک ترین پریز برق متصل گردد.
- برای ایمنی، لطفأ پایه یا براکت مناسب را انتخاب نمایید.
- برای جلوگیری از هرگونه آسیب، تلویزیون را روی یک صفحه مسطح قرار داده و یا به یک دیوار مناسب نصب نمایید.
- از افراد مجرب برای نصب تلویزیون استفاده نمایید. نصب نادرست باعث عدم پایداری تلویزیون خواهد شد.
- تلویزیون را در جایی که مستعد لرزش مکانیکی است، قرار ندهید.
- تلویزیون را در مکانی که مورد هجوم حشرات می باشد، قرار ندهید.
- تلویزیون را نزدیک به تجهیزات تهویه مطبوع قرار ندهید زیرا منبع گرما و کاهش رطوبت می تواند باعث ذوب شدن صفحه نمایشگر گردد.
- تلویزیون را در جایی که میدان مغناطیسی قوی وجود دارد، قرار ندهید زیرا امواج الکترومغناطیسی باعث اختلال می گردند.

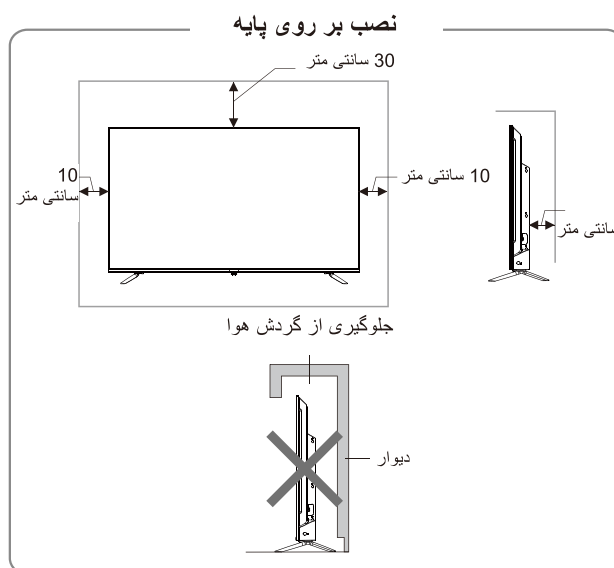


تهویه

- لطفأ مانند تصویر، حداقل فضای لازم نشان داده شده در اطراف تلویزیون، را حفظ نمایید.
- از پوشاندن منافذ هوا یا وارد نمودن هرگونه اشیاء خارجی به داخل محفظه، اجتناب نمایید.
- تلویزیون را در مکان های نامناسب (کتابخانه یا کمد دیواری)، قرار ندهید مگر اینکه برای تلویزیون به طور مناسب، امکان تهویه وجود داشته باشد.

⚠ هشدار

- هرگز تلویزیون را در مکانهای ناپایدار قرار ندهید. قرار دادن تلویزیون در مکان ناپایدار ممکن است منجر به آسیب های جدی شخصی یا مرگ شود. بسیاری از آسیب ها، به خصوص به کودکان، با اتخاذ اقدامات ساده مانند موارد زیر می تواند جلوگیری شود:
- از کابینت یا استند های توصیه شده توسط سازنده تلویزیون استفاده نمایید.
 - فقط از میز تلویزیونی که به طور ایمن قادر به نگهداری تلویزیون می باشد، استفاده نمایید.
 - از اینکه تلویزیون بیش از حد بر روی لبه میز تلویزیون قرار نگیرد اطمینان حاصل فرمایید.
 - قرار دادن تلویزیون بر روی میزهای بلند (مانند کمد ها یا کتابخانه ها) بدون نصب هر دو تلویزیون و میز، ممنوع است.
 - قرار دادن تلویزیون روی پارچه یا هر چیز دیگری که ممکن است بین تلویزیون و میز تلویزیون باشد، ممنوع است.
 - به کودکان درباره خطرات بالا رفتن از میز تلویزیون آموزش دهید.
- اگر تلویزیونتان را به مکان دیگری انتقال دادید، لطفأ تمامی موارد بالا را رعایت نمایید.



توجه

- شیوه صحیح تماشای تلویزیون:
 1. تلویزیون را در نور مناسب تماشا نمایید؛ نور کم یا تماشای طولانی مدت تلویزیون می تواند به چشمان شما آسیب برساند.
 2. میزان صدا را به طور مناسب تنظیم نمایید تا به شنوایی شما آسیب نرساند.
- برای قطع جریان برق، دوشاخه را از پریز جدا نمایید.
- در صورت استفاده از دوشاخه برق یا رابط به عنوان ابزار قطع جریان، باید از عملکرد مناسب آن ها اطمینان حاصل نمایید.
- دوشاخه باید به طور مطمئن به پریز برق متصل گردد. عدم پایداری اتصال دوشاخه دستگاه، می تواند موجب بروز جرقه و آتش سوزی گردد.
- کلیه مشخصات فنی مندرج در این دفترچه و روی بسته بندی دستگاه می تواند بدون اطلاع قبلی تغییر نماید. در صورت وجود اختلاف ناچیز بین دفترچه راهنما و عملکرد واقعی دستگاه، مورد دوم تقدم خواهد داشت.



عبارت های HDMI و HDMI High-Definition Multimedia Interface (رابط چند رسانه ای با وضوح بالا) و لوگوی HDMI نشان های تجاری یا نشان های تجاری به ثبت رسیده شرکت HDMI Licensing Administrator, Inc. در سایر کشورها می باشد.



دالبی، دالبی ویژن، دالبی اتموس، صدای دالبی و نماد Double-D.

علائم تجاری شرکت Dolby Laboratories Licensing Corporation هستند.

تحت مجوز از Dolby Laboratories تولید شده است.

آثار محرمانه هستند و منتشر نشده است. حق تکثیر © ۱۹۹۲-۲۰۲۴

Dolby Laboratories. محفوظ می باشد.

هشدار

دوشاخه برق دستگاه را با دست خیس لمس ننمایید، زیرا امکان برق گرفتگی وجود خواهد داشت.

در هوای طوفانی، دستگاه تلویزیون را روشن ننمایید؛ در عوض، دوشاخه برق دستگاه و رابط آنتن را جدا نموده تا مانع برخورد صاعقه به دستگاه گردد.

شخصاً اقدام به باز نمودن قطعات دستگاه تلویزیون ننمایید، زیرا این کار ممکن است موجب برق گرفتگی یا آتش سوزی گردد. برای تعمیر و نگهداری دستگاه با افراد مجاز تماس حاصل نمایید.

توجه

- به کودکان اجازه بالا رفتن از دستگاه تلویزیون را ندهید.
- لوازم جانبی کوچک را از دسترس کودکان دور نگاه دارید تا مانع بلعیدن آنها شوید.
- در صورت عدم استفاده از تلویزیون برای مدت زمان طولانی، دستگاه را خاموش نموده و دوشاخه دستگاه را از پریز برق جدا نمایید.
- پیش از تمیز نمودن دستگاه تلویزیون، دوشاخه برق دستگاه را از پریز جدا نموده و تلویزیون را با پارچه ای نرم پاک نمایید؛ از واکنشگرهای شیمیایی استفاده ننمایید و مانع وارد شدن اجسام خارجی به درون دستگاه شوید. تمیز نمودن دستگاه به روش نادرست (مانند استفاده از مایع شوینده، آب و غیره) می تواند موجب آسیب رساندن به ظاهر دستگاه، پاک شدن اطلاعات چاپی بر روی آن، نفوذ ماده به درون دستگاه و یا آسیب رساندن به صفحه نمایشگر دستگاه گردد.
- برای تنظیم محل قرارگیری یا زاویه دستگاه تلویزیون، لطفاً همه سیم ها را از دستگاه جدا نموده و به آرامی حرکت دهید تا از سقوط آن جلوگیری نمایید.
- از سایش اشیای سخت، ضربه زدن، خم نمودن یا فشار دادن صفحه نمایش دستگاه خودداری نمایید.
- پس از جابجایی دستگاه از محل دارای دمای پایین به محل دارای دمای بالا، بلافاصله آن را روشن ننمایید، چراکه موجب تولید بخار در درون دستگاه و خرابی آن می گردد.
- در صورت شکسته شدن صفحه نمایش و پاشیدن مایع درون دستگاه بر روی پوست، لطفاً بلافاصله قسمت مورد نظر را به مدت 15 دقیقه با آب تمیز بشویید، و سپس به پزشک خود مراجعه نمایید.
- برای جابجایی دستگاه تلویزیون به روش دستی، گوشه ها و قسمت زیرین آن را بگیرید؛ بر روی پنل دستگاه فشار وارد ننمایید.
- نمایش یک تصویر یکسان برای مدت طولانی یا تصویری متحرک با واژگان یا آیکون های ثابت بر روی آن، موجب باقی ماندن وضعیت "image persistence" (پایستگی تصویر) روی صفحه نمایش می گردد که حتی با گذشت مدت زمانی طولانی پس از خاموش نمودن دستگاه برطرف نمی گردد. این وضعیت نامطلوب مشمول گارانتی محصول نمی باشد.

هشدار

- فقط از منبع تغذیه 240-100 وات جریان متناوب، 50/60 هرتز استفاده نمایید.
- کلیه کابل ها باید تنها پس از قطع منبع برق دستگاه، متصل یا خارج گردند.
- از قرار دادن دستگاه تلویزیون در وضعیت ناپایدار خودداری نمایید؛ در غیر اینصورت، ممکن است منجر به سقوط دستگاه، ایجاد آسیب یا حتی بروز آتش سوزی گردد.
- از قرار دادن دستگاه تلویزیون در محل های دارای ویژگی های زیر خودداری نمایید:

 - در معرض تابش مستقیم نور خورشید، رطوبت، گرمای شدید، سرمای شدید یا گرد و غبار فراوان؛
 - در مجاورت مواد قابل اشتعال یا مواد منفجره؛
 - در مجاورت گاز های قابل اشتعال یا خوردنده؛
 - در حمام، آشپزخانه و مانند آن.





- از پرز برق آسیب دیده یا نامناسب استفاده ننمایید، و اطمینان حاصل نمایید که دوشاخه و پرز برق به خوبی به یکدیگر متصل گردند.
- دوشاخه و پرز برق را از گرد و غبار و اشیای فلزی دور نمایید.
- به کابل برق دستگاه آسیب نرسانید:

 - دستکاری کابل برق دستگاه ممنوع می باشد؛
 - از قرار دادن اجسام سنگین بر روی کابل برق دستگاه خودداری نمایید؛
 - کابل برق دستگاه را از منابع حرارت دور نگه دارید؛
 - برای جدا نمودن کابل برق دستگاه از پرز، آن را با فشار از قسمت سیم جدا ننمایید.

- از وصل نمودن تعداد زیادی از وسایل خانگی به سه راهی برق خودداری نمایید؛ در غیر اینصورت احتمال بروز آتش سوزی به سبب افزایش مصرف برق وجود دارد.
- اجازه ندهید شعله مستقیم (مانند شمع روشن) به دستگاه تلویزیون نزدیک گردد، زیرا موجب برق گرفتگی یا بروز آتش سوزی خواهد شد.
- برای جلوگیری از برق گرفتگی یا آتش سوزی ناشی از ریزش قطرات آب، ظروف پر از آب را روی دستگاه تلویزیون قرار ندهید.
- از وارد نمودن اشیای تیز فلزی یا مایع به درون رابط سیگنال یا درجه های تهویه خودداری ننمایید، تا مایع اتصال کوتاه دستگاه، آسیب و یا برق گرفتگی گردد.
- شیار های روی بدنه دستگاه برای خروج گرما طراحی شده اند تا اطمینان حاصل شود که دمای قطعات داخلی دستگاه پیش از حد بالا نرود و کارایی آن در دراز مدت حفظ گردد. لطفاً در هنگام قرار دادن دستگاه این شیارها را نبوشانید.

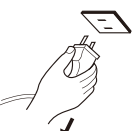
هشدار های ایمنی

از حسن خرید شما در انتخاب تلویزیون های LED هوشمند و چندکاره تولید شده توسط این شرکت، صمیمانه سپاسگزاریم. این دستگاه ارزشمند، به شما لذت بصری و صوتی بهتری را ارائه خواهد داد. این محصول بر اساس عوامل تاثیر گذار بر ایمنی افراد طراحی گردیده و همچنین آزمون های سختی را از سر گذرانده است. با این حال، عملکرد نا درست می تواند منجر به شوک الکتریکی و آتش سوزی گردد بنابراین به منظور اطمینان از ایمنی، افزایش عمر مفید دستگاه و بهره وری کارآمدتر آن، لطفاً پیش از استفاده، دفترچه راهنما را برچسب های محصول را به دقت مطالعه نموده و از دستورالعمل های ایمنی مندرج در آن، بیروی ننمایید. لطفاً این دفترچه راهنما را برای استفاده در آینده نگه داری فرمایید.

	هشدار	ممکن است موجب صدمه گردد.
	نشان دهنده رفتارهایی است که باید از آنها اجتناب نمود.	
	توجه	ممکن است به آسیب جسمی یا خسارت مالی منجر گردد.
	نشان دهنده اقداماتی است که باید انجام پذیرند.	

در شرایط زیر

- قطعی برق یا نوسان ولتاژ دستگاه
- انتشار صدا یا بوی غیر طبیعی از دستگاه
- آسیب دیدگی دستگاه تلویزیون به دلیل سقوط، ضربه یا برخورد با سایر اشیاء.
- ورود هو مایع یا جسم خارجی به درون دستگاه تلویزیون.



- تلویزیون را فوراً خاموش نمایید. اتصال کابل برق را از پرز جدا نموده و با تعمیرکاران مجاز تماس حاصل نمایید.
- در صورت نشت گاز، زغال سنگ و یا سایر گازهای قابل اشتعال، از جدا نمودن کابل برق تلویزیون و یا سایر لوازم برقی از پرز خودداری ننمایید.
- فوراً شیر گاز را بسته و درب ها و پنجره ها را باز نمایید.

فهرست

2	هشدارهای ایمنی.....
4	نصب و اتصالات.....
4	نصب تلویزیون.....
5	اتصال تجهیزات جانبی.....
6	کلیدهای کنترل پنل.....
6	ریموت کنترل.....
8	عملکردهای اولیه.....
8	حالت روشن /آماده به کار.....
8	انتخاب منبع سیگنال.....
8	توضیح عملکردهای منو.....
8	اسکن برنامه ها.....
9	گزینه REC.....
9	گزینه Time Shift.....
9	دستورالعمل هایی برای عملکردهای هوشمند دستگاه.....
9	عملکردهای ابتدایی.....
9	شروع سریع.....
10	برنامه های هوشمند.....
11	تنظیمات شبکه.....
11	تنظیمات بلوتوث (اختیاری).....
11	بیانیه مهم درباره خدمات شبکه.....
12	عیب یابی.....
12	مشخصات فنی.....
13	دستورالعمل نصب پایه.....
14	نصب تلویزیون بر روی دیوار.....



Maxeeder

Touch of wonder..!

تلویزیون LED

MX-TV216U FN5011



با ضمانت گاندو سرویس

رکورد دار دریافت تندیس حمایت از حقوق مصرف کننده برای
هشتمین سال پیاپی در صنعت لوازم خانگی ، صوت و تصویر ایران



دفترچه راهنما

پیش از نصب و استفاده از دستگاه، لطفاً دفترچه راهنما را با دقت مطالعه نموده و از استفاده صحیح آن، اطمینان حاصل نمایید. توصیه می گردد این دفترچه را نزد خود نگهدارید. تصاویر موجود در این دفترچه تنها به عنوان مرجع استفاده می گردند.